

HYDRAULIC INFRASTRUCTURES

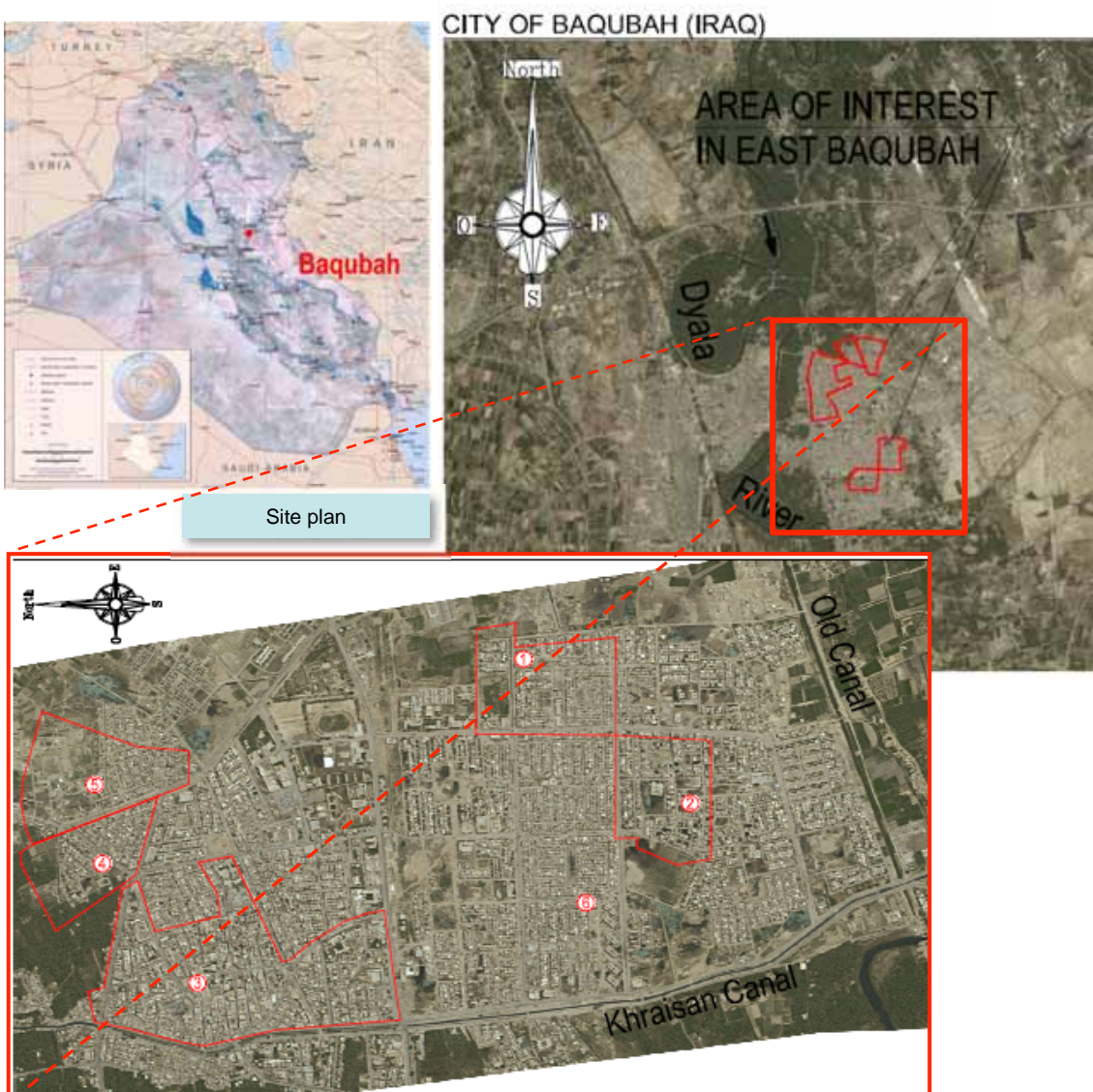
AQUEDUCTS AND SEWERS

TITLE: PRELIMINARY AND FINAL DESIGN OF WASTEWATER AND STORMWATER SEWER FOR THE EAST PART OF THE CITY OF BAQUBAH IN THE GOVERNATORATE OF DYALA (IRAQ)

DESCRIPTION: the project concerns the buildings of a new separate sewer system for the new urban lots in the eastern part of the city of Baquba. The system will serve a total population of 40.500 inhabitants, spreads over an intervention area equal to 2.0 km². The whole lot, including the quarters already served by sewers, amounts to 7.5 km².

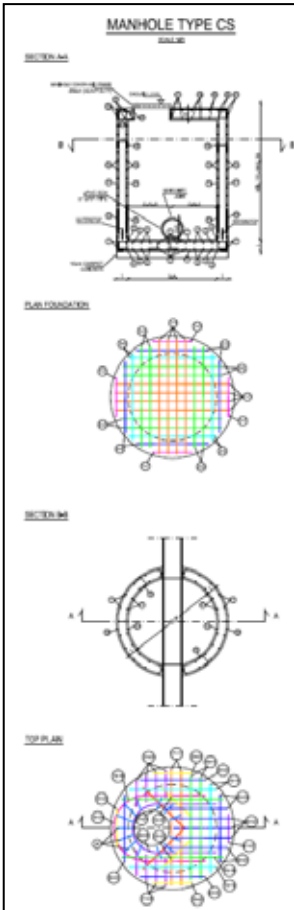
CUSTOMER: National Group for reconstruction and investment (AHL-ALWAFAA & AL-EZA COMPANY) - Karbala (Iraq)

TOTAL AMOUNT OF WORKS: \$ 18.700.000,00

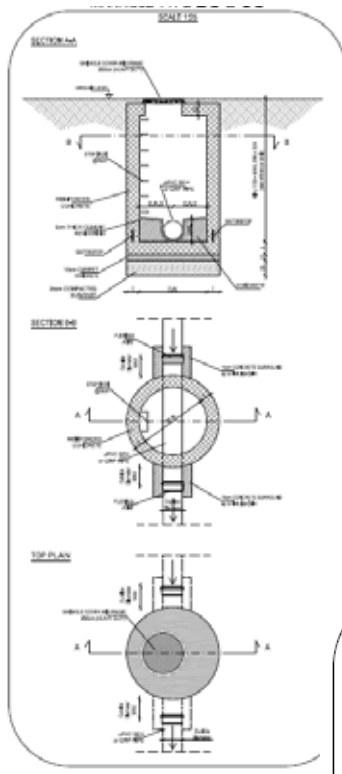




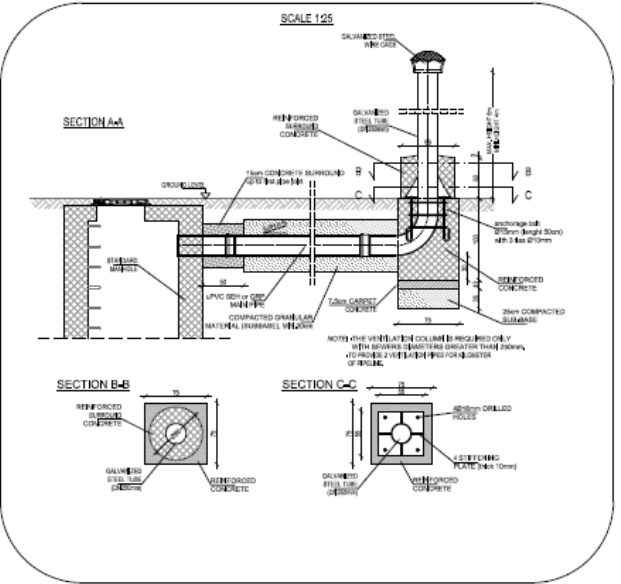
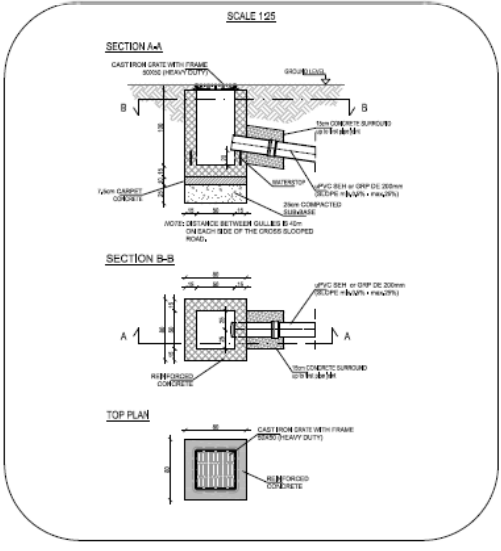
Wastewater sewer: subcatchments and trunks schemas



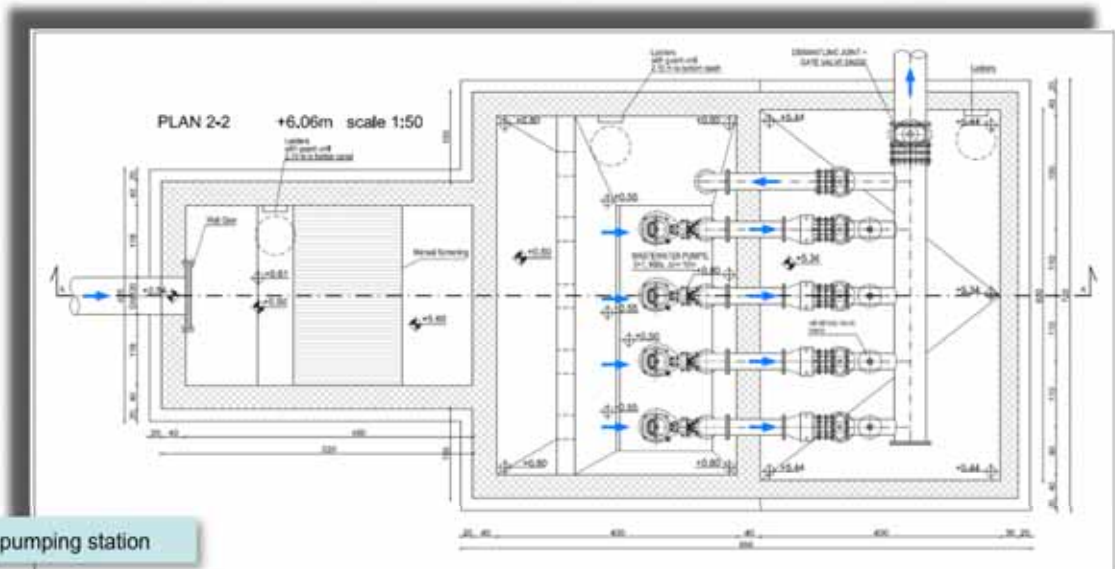
Manholes: Architectural, structures and reinforcements.



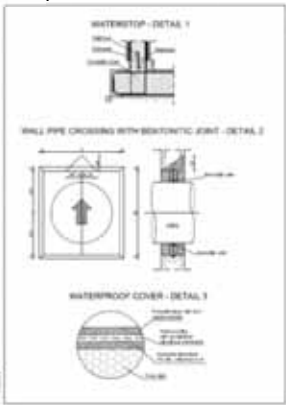
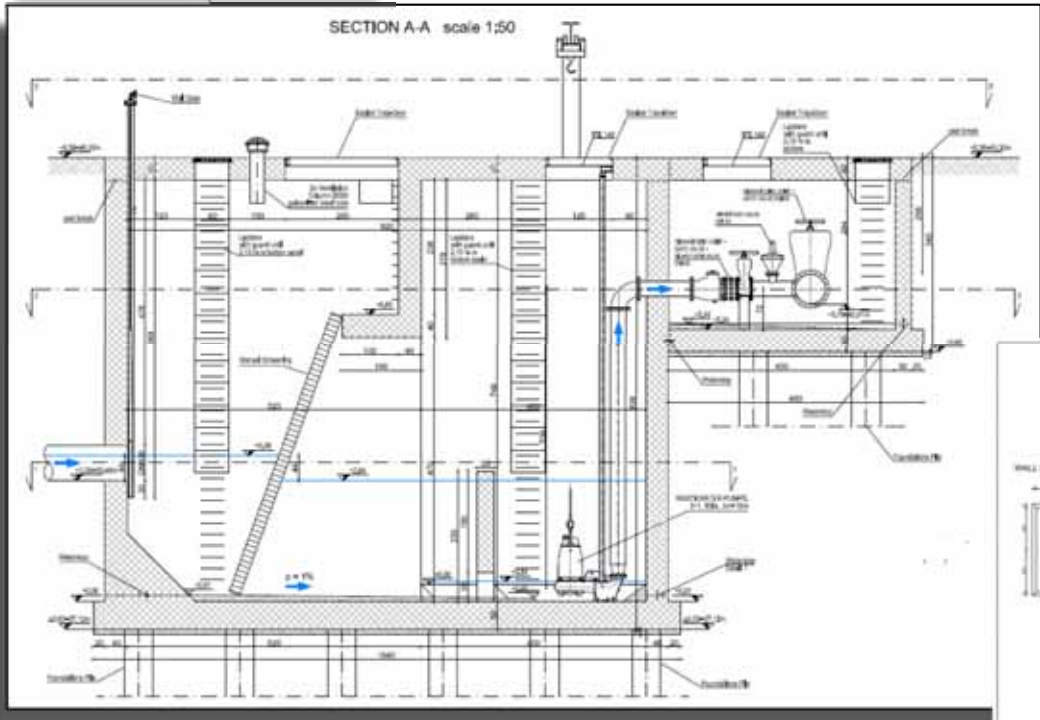
Street inlet for storm water drainage



Typological sewer ventilation column



Wastewater pumping station



House connections

