

# HYDRAULIC INFRASTRUCTURES

## WASTEWATER TREATMENT PLANTS

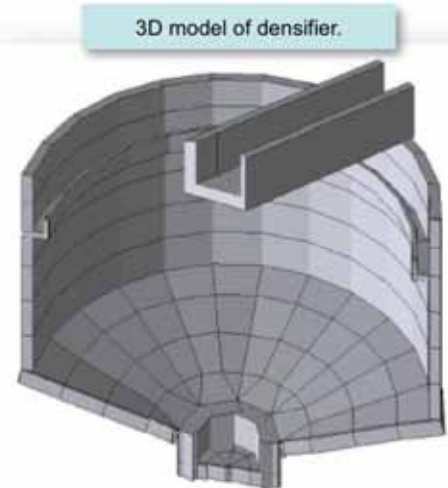
**TITLE:** "STUDY OF EXECUTION, REALIZATION AND MANAGEMENT OF THE WASTEWATER TREATMENT PLANT OF THE CITY OF MOSTAGANEM" (ALGERIA) – P.E. 350.000

**DESCRIPTION:** Tender design: the project has involved the realization of the new wastewater treatment plant of Mostaganem (ALGERIA).

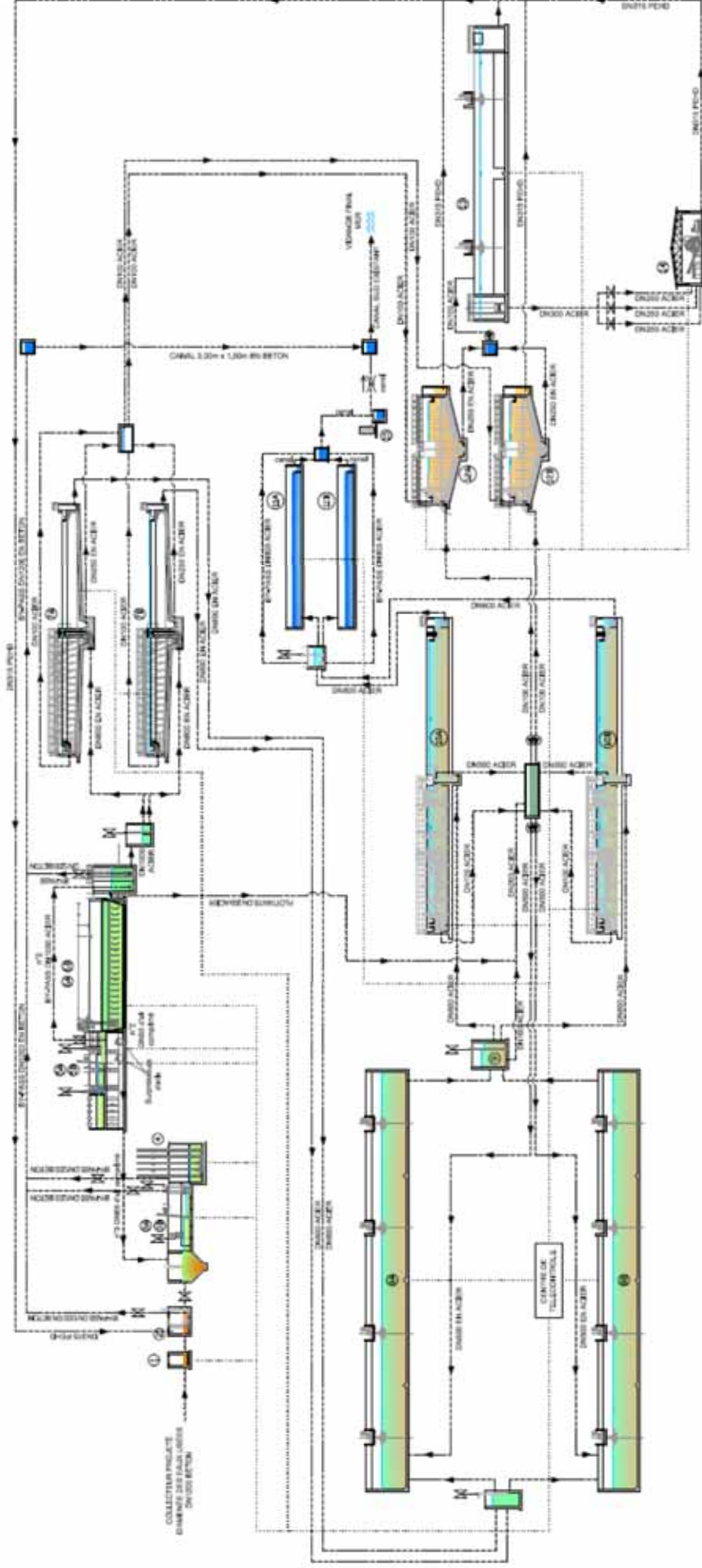
**CUSTOMER:** UNIECO Società Cooperativa, CMB – COOPERATIVA MURATORI & BRACCIANTI DI CARPI (MO), CMC - COOPERATIVA MURATORI & CEMENTISTI (RA) - Italy

**TOTAL AMOUNT OF WORKS:** €40.000.000,00

**YEAR:** 2012



Wastewater treatment plant schema.

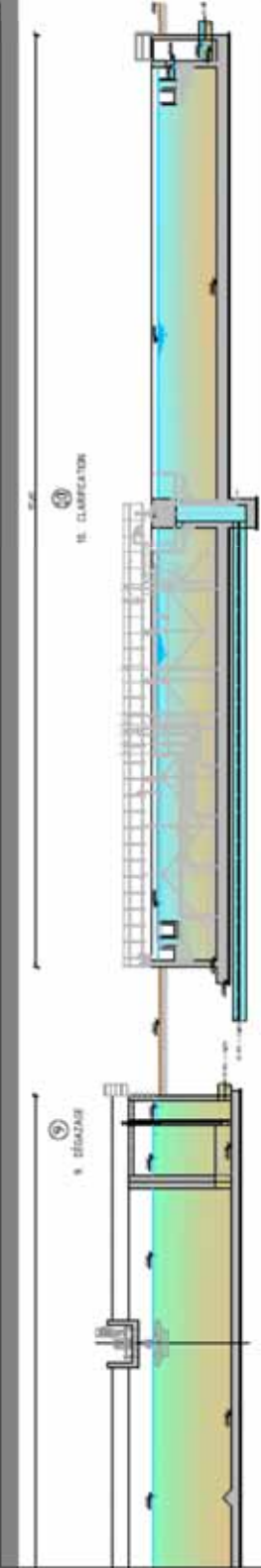
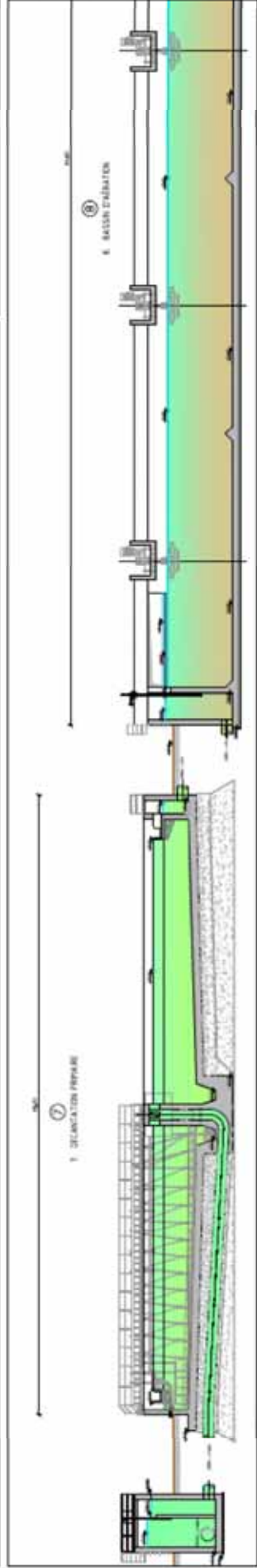


LEGENDE:

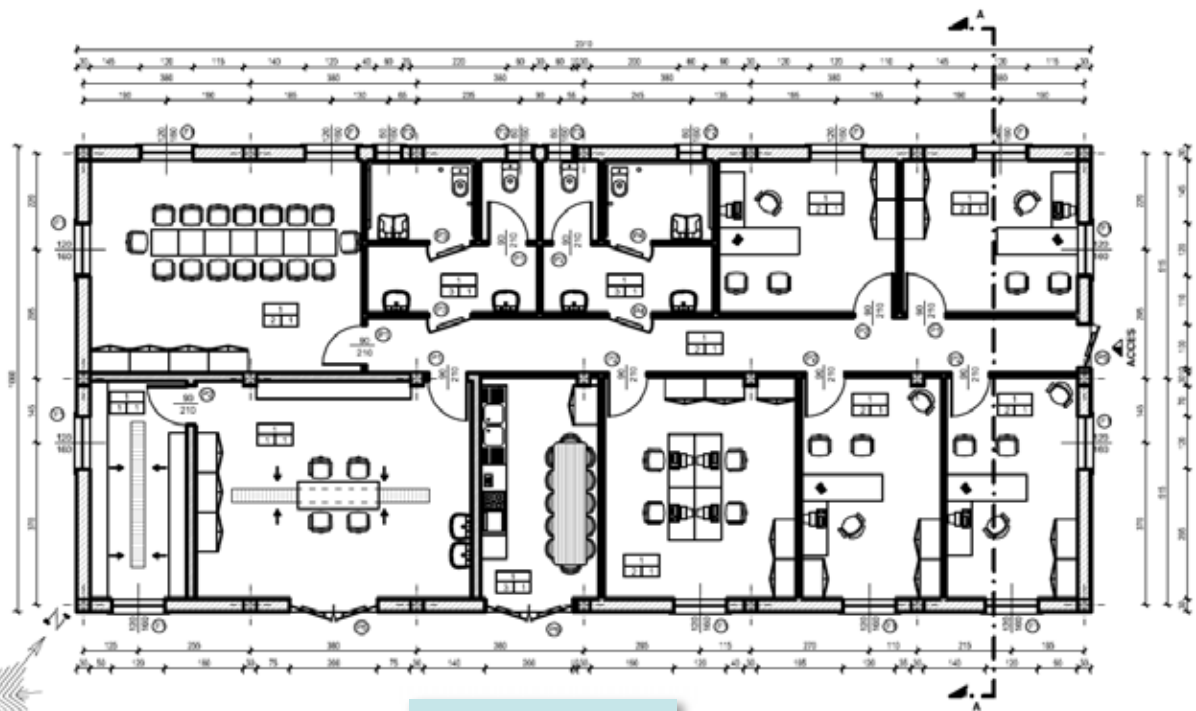
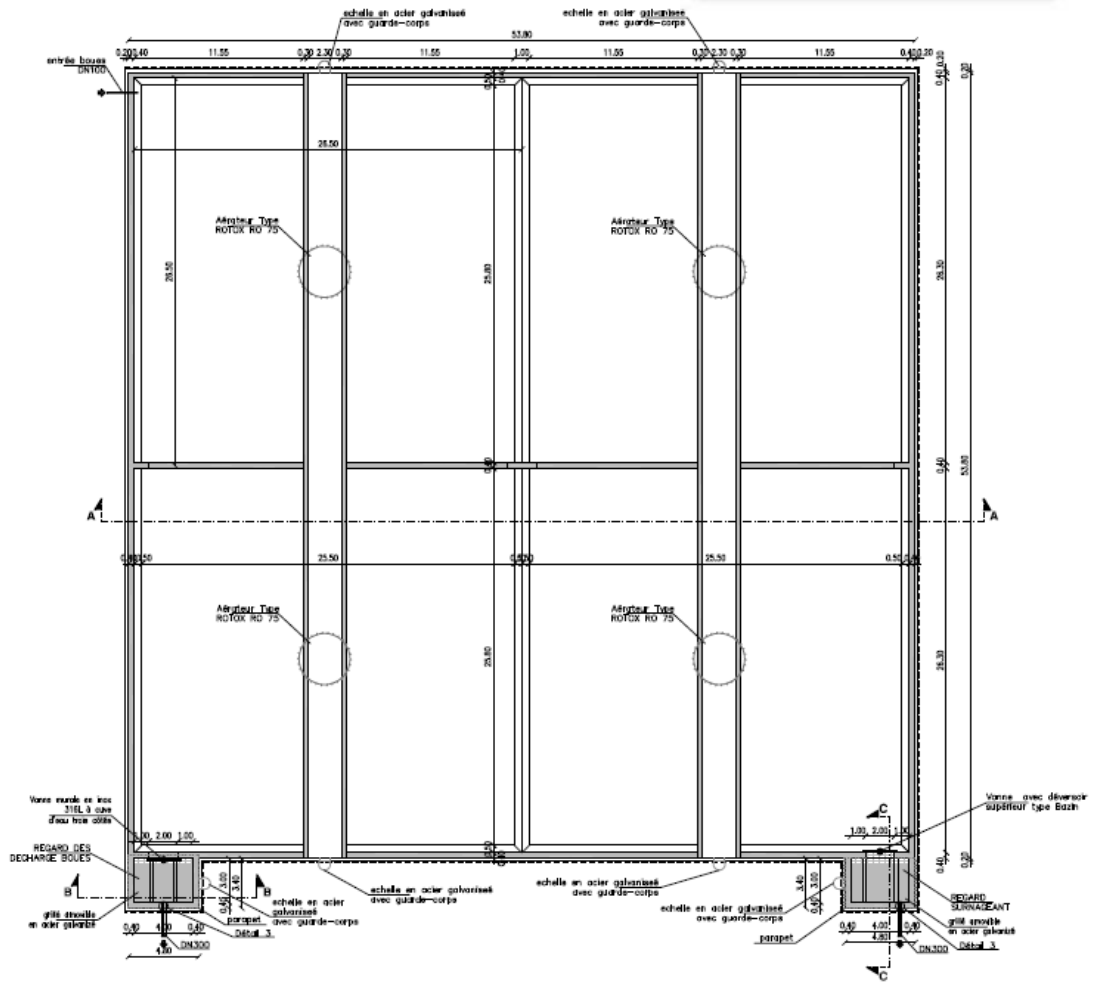
- 1. REGARD DE COMPTAGE ET PRELEVEUR D'EAUX BRUTES
- 2. OUVRAGES D'ARRIVEES
- 3A-B. DEGRILLAGE GROSSIER 1-2
- 4. POSTE DE RELEVAGE DES EAUX USEES
- 5A-B. DEGRILLAGE FN 1-2
- 6A-B. DESSABLAGAGE/DESILAGE AERE 1-2
- 7A. DECAANTATION PRIMAIRE 1
- 7B. DECAANTATION PRIMAIRE 2
- 8A. BASSIN D'AERATION 1
- 8B. BASSIN D'AERATION 2
- 9A-B. DECAANTAGE 1-2
- 10A. CLARIFICATION 1
- 10B. CLARIFICATION 2
- 11A-B. DESINFECTION
- 12A. EPAISSISSEUR 1
- 12B. EPAISSISSEUR 2
- 13. STABILISATION AEROBIE
- 14. DESHYDRATATION
- 15. SYSTEME DE SURPRESSION POUR L'EAU DE SERVICE

- M VANNE MURALE
- COMPTEUR VENTURI
- POMPES

Wastewater treatment plant altimetric profile.



Aerobic stabilisation of sludge.



Office building.